



Oxford Cambridge and RSA

Wednesday 11 January 2017 – Morning

**LEVEL 1/2 CAMBRIDGE NATIONAL AWARD/
CERTIFICATE IN ENGINEERING DESIGN**

R105/01 Design briefs, design specifications and user requirements

Candidates answer on the Question Paper.

OCR supplied materials:

None

Other materials required:

None

Duration: 1 hour



Candidate forename		Candidate surname	
-----------------------	--	----------------------	--

Centre number						Candidate number				
---------------	--	--	--	--	--	------------------	--	--	--	--

INSTRUCTIONS TO CANDIDATES

- Use black ink. HB pencil may be used for graphs and diagrams only.
- Complete the boxes above with your name, centre number and candidate number.
- Answer **all** the questions.
- Write your answer to each question in the space provided. Additional paper may be used if necessary but you must clearly show your candidate number, centre number and question number(s).
- Do **not** write in the bar codes.

INFORMATION FOR CANDIDATES

- The total number of marks for this paper is **60**.
- The number of marks for each question is given in brackets [] at the end of each question or part question.
- Dimensions are in millimetres unless stated otherwise.
- Your quality of written communication will be assessed in questions marked with an asterisk (*).
- This document consists of **16** pages. Any blank pages are indicated.

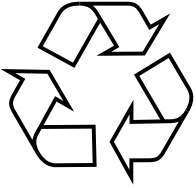




Answer **all** the questions.

1 Legislation and safety are important considerations when designing new products.

(a) (i) The table below shows a range of signs and symbols commonly seen on products.

Complete the table by stating what each symbol indicates.

One has been done for you.

	Symbol	The symbol indicates:
1		
2		That products have been tested and are deemed safe to use.
3		
4		
5		

[4]

(ii) Give **one** reason, other than safety, why signs and symbols are applied to products.

.....

..... [1]

(b) State **two** ways designers can make sure products are safe to use.

1

.....

2.....

.....

[2]

(c) Explain why it is important for manufacturers to make sure products are safe before being put on sale.

.....

.....

.....

.....

.....

.....

.....

[3]

2 Fig. 1 shows a motor assembly.

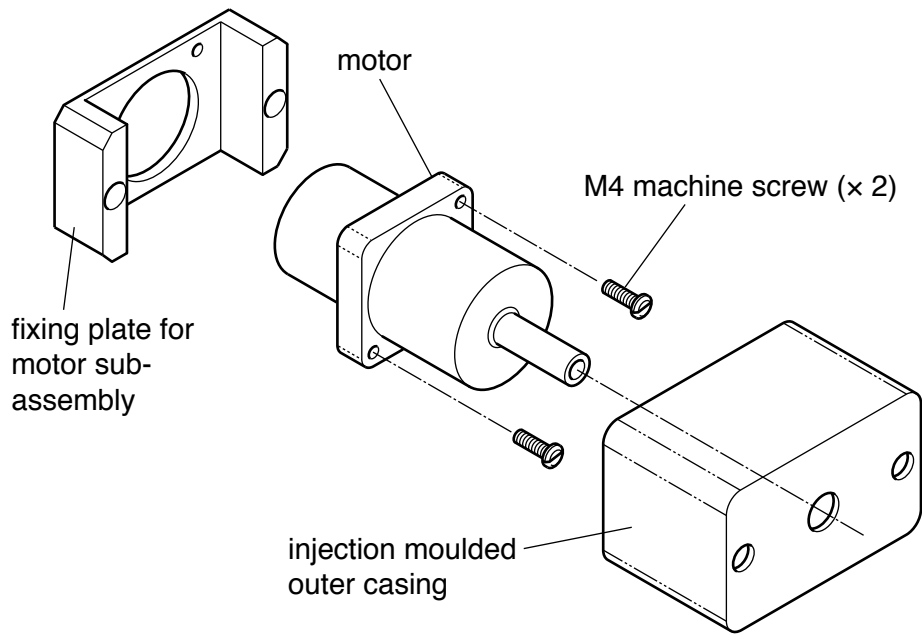


Fig. 1

(a) (i) Give **two** ways that the designer has considered design for manufacturing assembly (DFMA) in the motor's design.

- 1
-
- 2
-

[2]

(ii) Explain what is meant by the term design for manufacturing assembly (DFMA).

-
-
-
-
-
-
-

[3]

(b) State **two** ways that products can be designed for disassembly.

1

.....

2

.....

[2]

(c) Explain why design for disassembly is an important consideration when designing new products.

.....

.....

.....

.....

.....

[3]

3 Many new products are developed based on market pull and technological push.

(a) Define what is meant by the terms 'market pull' and 'technological push'.

(i) Market pull

.....
..... [1]

(ii) Technological push

.....
..... [1]

(b) State **two** factors that can create market pull.

1
.....
2
..... [2]

(c) Give **two** methods a designer could use to identify the needs of the market.

1
.....
2
..... [2]

4 Fig. 2 shows a bicycle.

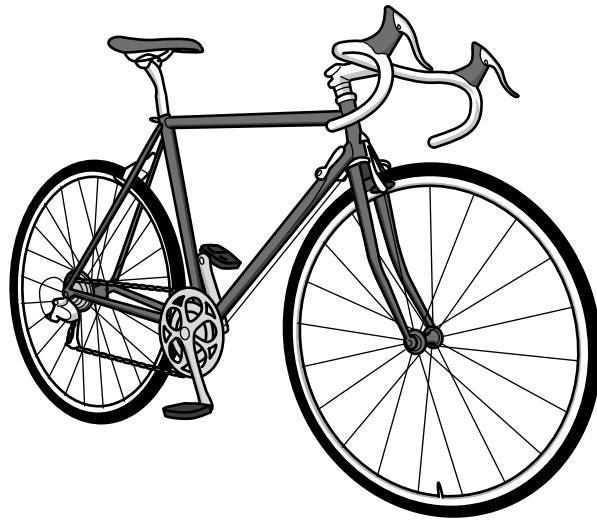


Fig. 2

(a) (i) Anthropometrics is an important area of consideration when designing products.

State what is meant by the term anthropometrics.

.....
..... [1]

(ii) State **two** anthropometric considerations for the design of the bicycle.

1
.....
2
..... [2]

(b) Describe how the bicycle design could be influenced by ergonomics.

.....
.....
.....
..... [2]

(c) New and emerging materials are a critical part of bicycle design.

Give **two** ways that new materials can improve bicycle design.

1

.....

2

.....

[2]

(d) Explain how new production processes may impact on the design of a new product.

.....

.....

.....

.....

.....

.....

[3]

5 Fig. 3 shows a plastic ice cube tray.

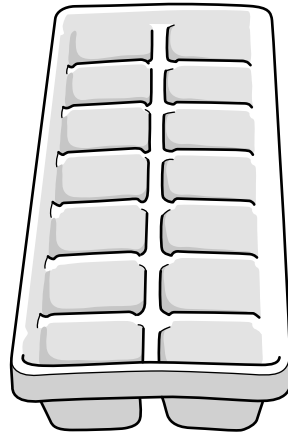


Fig. 3

(a) Testing takes place during the validate phase of the design cycle.

(i) State **two** ways that a designer could test the ice cube tray.

1

2

[2]

(ii) Explain why testing is important when developing a new product.

.....
.....
.....
.....
.....
.....

[3]

(b) Error proofing is part of the optimise phase of the design cycle.

(i) Give **two** ways that designers can incorporate error proofing into designs for new products.

1

.....

2

.....

[2]

(ii) Explain the impact error proofing has on the operation of new products.

.....

.....

.....

.....

.....

.....

.....

[3]

6 Fig. 4 shows an engineering drawing of a component.

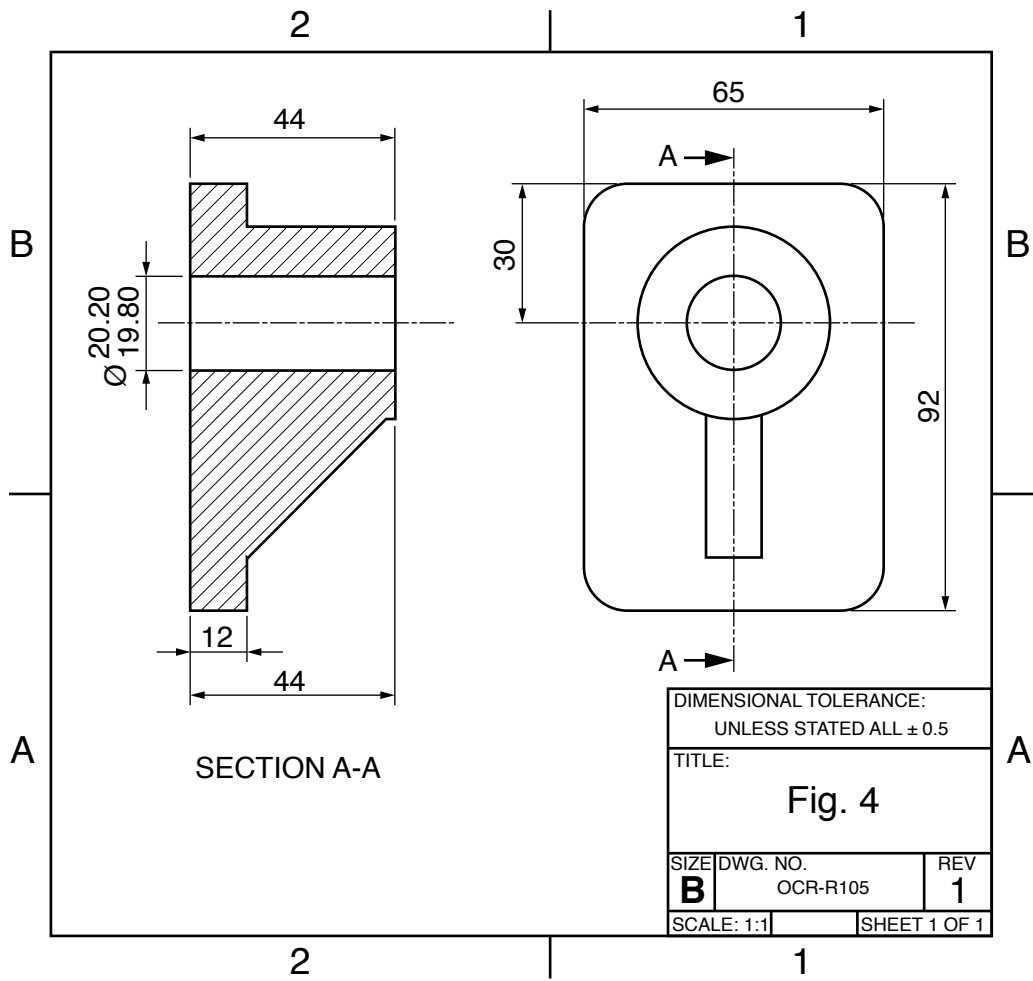


Fig. 4

- (a) (i) Label the drawing in Fig. 4 to identify where a specific tolerance is shown. [1]
- (ii) Explain why engineering drawings may have general and specific tolerances.

.....

.....

.....

.....

.....

.....

.....

..... [3]

14
BLANK PAGE

PLEASE DO NOT WRITE ON THIS PAGE

15
BLANK PAGE

PLEASE DO NOT WRITE ON THIS PAGE

PLEASE DO NOT WRITE ON THIS PAGE

OCR
Oxford Cambridge and RSA

Copyright Information

OCR is committed to seeking permission to reproduce all third-party content that it uses in its assessment materials. OCR has attempted to identify and contact all copyright holders whose work is used in this paper. To avoid the issue of disclosure of answer-related information to candidates, all copyright acknowledgements are reproduced in the OCR Copyright Acknowledgements Booklet. This is produced for each series of examinations and is freely available to download from our public website (www.ocr.org.uk) after the live examination series.

If OCR has unwittingly failed to correctly acknowledge or clear any third-party content in this assessment material, OCR will be happy to correct its mistake at the earliest possible opportunity.

For queries or further information please contact the Copyright Team, First Floor, 9 Hills Road, Cambridge CB2 1GE.

OCR is part of the Cambridge Assessment Group; Cambridge Assessment is the brand name of University of Cambridge Local Examinations Syndicate (UCLES), which is itself a department of the University of Cambridge.