



Oxford Cambridge and RSA

Wednesday 17 May 2023 – Morning

AS Level Physics B (Advancing Physics)

H157/01 Foundations of physics

Time allowed: 1 hour 30 minutes



You must have:

- the Data, Formulae and Relationships Booklet

You can use:

- a scientific or graphical calculator
- a ruler (cm/mm)



Please write clearly in black ink. **Do not write in the barcodes.**

Centre number

--	--	--	--	--

Candidate number

--	--	--	--

First name(s)

Last name

INSTRUCTIONS

- Use black ink. You can use an HB pencil, but only for graphs and diagrams.
- Write your answer to each question in the space provided. If you need extra space use the lined pages at the end of this booklet. The question numbers must be clearly shown.
- Answer **all** the questions.
- Where appropriate, your answer should be supported with working. Marks might be given for using a correct method, even if your answer is wrong.

INFORMATION

- The total mark for this paper is **70**.
- The marks for each question are shown in brackets [].
- This document has **24** pages.

ADVICE

- Read each question carefully before you start your answer.

Section A

You should spend a maximum of **25 minutes** on this section.

Write your answer to each question in the box provided.

1 What defines a weak material?

- A A low elastic limit
- B A low fracture stress
- C A low yield stress
- D A low Young modulus

Your answer

[1]

2 A sound wave has frequency 440 Hz. The speed of sound in air is 330 m s^{-1} . The wavelength of the sound wave is:

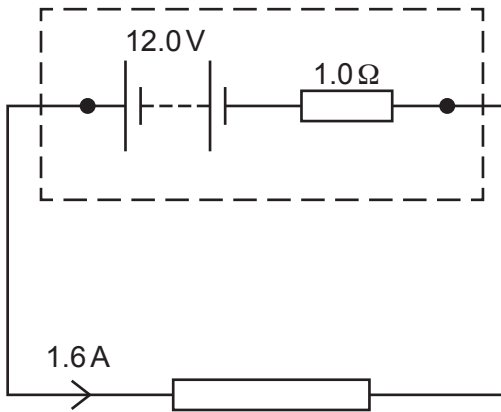
- A 75 cm
- B 125 cm
- C 1.45 m
- D 75 m

Your answer

[1]

3

Use the circuit diagram to answer questions 3 and 4.



3 The emf of the cell is:

- A 1.6V
- B 10.4V
- C 12.0V
- D 13.6V

Your answer

[1]

4 The power dissipated in the internal resistance is:

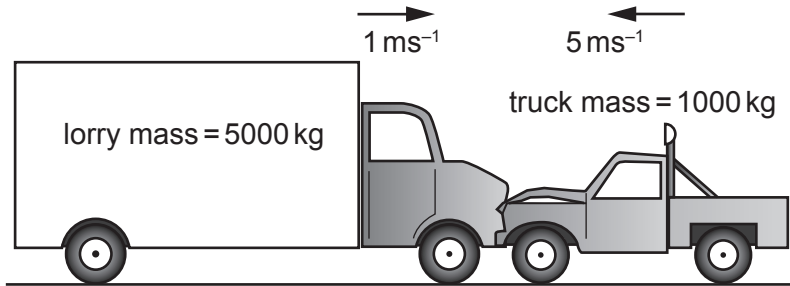
- A 2.56J
- B 2.56W
- C 19.2J
- D 19.2W

Your answer

[1]

- 5 A lorry and a truck are in a collision. The mass and speed of each, before the collision, are shown on the diagram.

What is the total momentum of the lorry and truck?

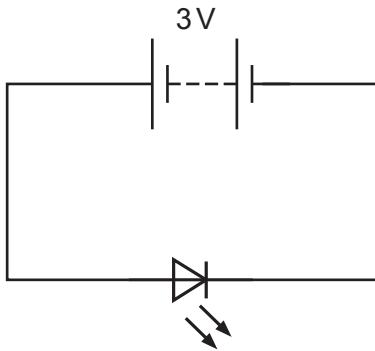


- A 0 kg ms^{-1}
 B 10 kg ms^{-1}
 C 10000 kg ms^{-1} to the left
 D 10000 kg ms^{-1} to the right

Your answer

[1]

- 6 A single electron passes through a cell of emf 3V, then through an LED where a single photon is emitted.



The frequency, f , of the emitted photon can be expressed in terms of the electron charge, e , and the Planck constant, h , as:

- A $f = \frac{e}{3h}$
 B $f = \frac{h}{3e}$
 C $f = \frac{3e}{h}$
 D $f = \frac{3h}{e}$

Your answer

[1]

- 7 In a plane-polarised light ray, the oscillations in the electric field are:
- A In all directions, perpendicular to the direction of propagation
 - B In one plane, perpendicular to the direction of propagation
 - C Longitudinal and parallel to the direction of propagation
 - D Transverse and parallel to the direction of propagation

Your answer

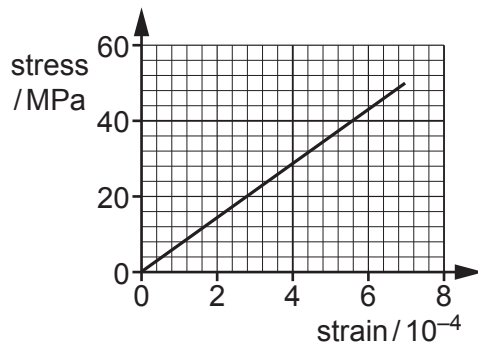
[1]

- 8 Which value is the best estimate for the largest acceleration experienced on a typical rollercoaster?
- A 10 ms^{-2}
 - B 30 ms^{-2}
 - C 100 ms^{-2}
 - D 300 ms^{-2}

Your answer

[1]

- 9 The graph shows the stress and strain for a loaded wire.



The Young modulus of the wire is:

- A 14 GPa
- B 60 GPa
- C 71 GPa
- D 83 GPa

Your answer

[1]

- 10 A scale is marked on a thermometer by first placing it in ice at 0°C and then steam at 100°C .

This process is an example of:

- A accuracy
- B calibration
- C precision
- D resolution

Your answer

[1]

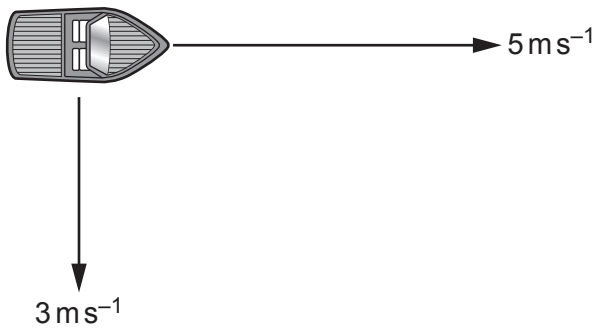
- 11 When the load on a stretched wire is doubled without exceeding its elastic limit, the elastic strain energy, E , increases to:

- A $\sqrt{2E}$
- B $\sqrt{2}E$
- C $2E$
- D $4E$

Your answer

[1]

- 12 A boat moves forwards at 5 ms^{-1} and is carried by the current at 3 ms^{-1} in a perpendicular direction. Calculate the resultant speed.

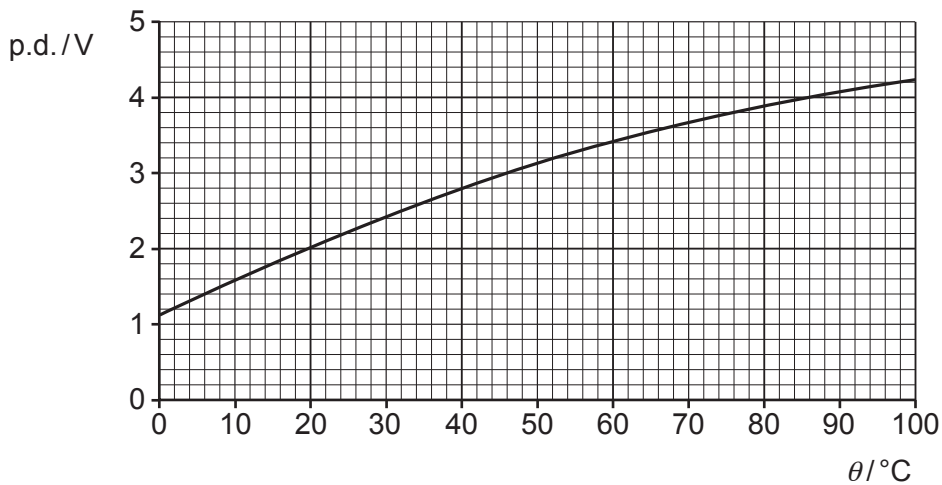


- A 2.8 ms^{-1}
 B 4.0 ms^{-1}
 C 5.8 ms^{-1}
 D 8.0 ms^{-1}

Your answer

[1]

- 13 The graph shows the output p.d. of a temperature sensor at different temperatures, θ .



Estimate the sensitivity of this temperature sensor at 20°C .

- A 0.1°C V^{-1}
 B $10 \text{ V}^\circ\text{C}^{-1}$
 C 23°C mV^{-1}
 D $43 \text{ mV}^\circ\text{C}^{-1}$

Your answer

[1]

Turn over

14 In an experiment to measure the refractive index of plastic using a rectangular block, ray box and protractor, the largest source of error is probably best reduced by:

- A Increasing the brightness of the rays
- B Measuring the angles more carefully
- C Obtaining the narrowest possible rays
- D Securing the rectangular block in position

Your answer

[1]

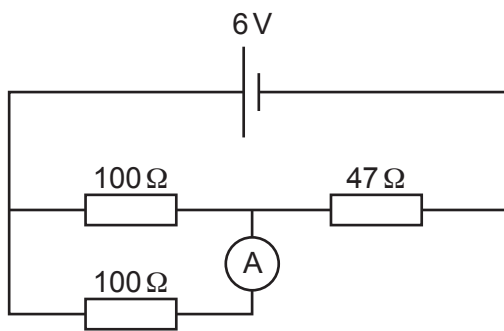
15 Which experiment does **not** provide direct evidence of the size or spacing of particles?

- A Electron diffraction images
- B Oil drop film experiment
- C Photoelectric effect
- D Scanning tunneling microscopy images

Your answer

[1]

16 Estimate the reading on the ammeter in this circuit.



- A 20 mA
- B 30 mA
- C 40 mA
- D 60 mA

Your answer

[1]

17 A detector receives a signal of constant amplitude carried by a plane-polarised wave.

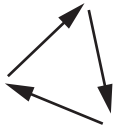
Which answer describes a possible sequence of amplitude measurements when the detector is rotated through 90° ?

- A Maximum to minimum
- B Maximum to minimum to maximum
- C Minimum to maximum to minimum
- D Minimum to minimum

Your answer

[1]

18 Phasors representing waves from 3 sources are shown in the diagram.



Adding phasors in this way models:

- A absorption
- B coherence
- C diffraction
- D superposition

Your answer

[1]

10

Use the data in the table to answer questions 19 and 20.

The data in the table shows measurements of power output for an engine at different r.p.m. settings.

Three power measurements and their mean are given for each r.p.m. setting.

Engine r.p.m.	Power/kW			
	1	2	3	Mean
2000	155	155	152	154
2500	190	196	190	192
3000	212	210	215	212
3500	225	220	225	223
4000	220	223	220	221
4500	160	165	162	212

19 The best estimate of the r.p.m. that delivers maximum power is:

- A 3250 r.p.m.
- B 3500 r.p.m.
- C 3750 r.p.m.
- D 4000 r.p.m.

Your answer

[1]

20 The best estimate of the uncertainty in power at 2500 r.p.m. is:

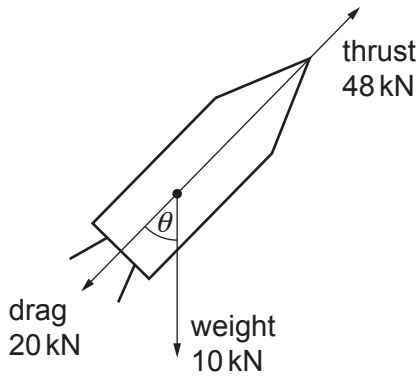
- A ± 1 kW
- B ± 2 kW
- C ± 3 kW
- D ± 6 kW

Your answer

[1]

11
Section B

21 The diagram shows a rocket in flight. The angle θ is 25 degrees.



(a) The thrust force and the drag force on the rocket are shown in the diagram.

State the resultant of these two forces.

..... [2]

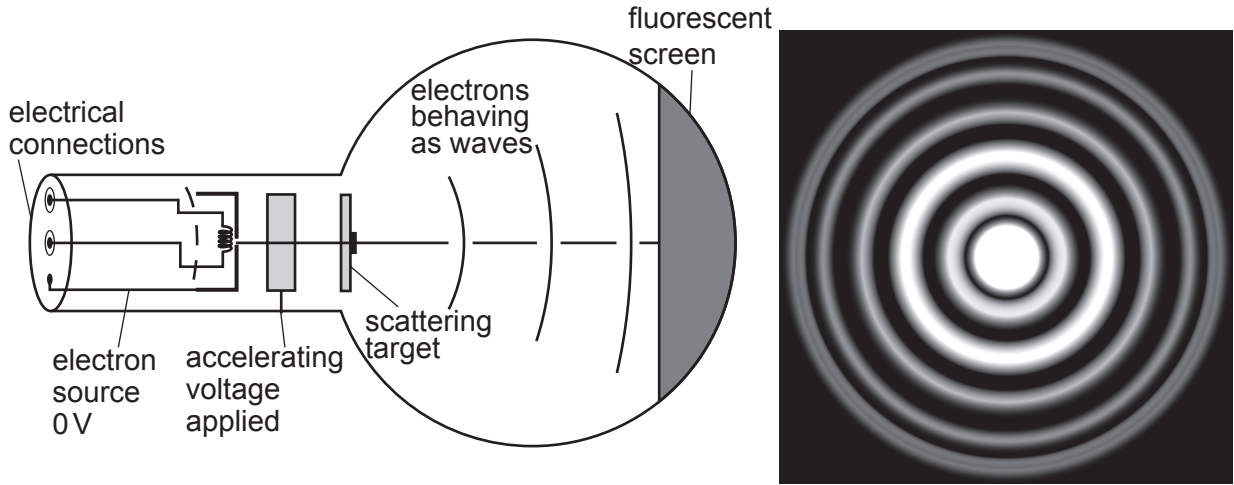
(b) Calculate the magnitude of the horizontal component of this resultant force.

force = kN [2]

(c) Explain why the weight force has no effect on the horizontal acceleration.

.....
.....
..... [2]

- 22 The figure shows the equipment used to demonstrate electron diffraction. Electrons are accelerated through a potential difference, strike a target material and produce an interference pattern on a fluorescent screen.



- (a) Calculate the de Broglie wavelength of an electron travelling at $8.5 \times 10^6 \text{ ms}^{-1}$.

wavelength = m [2]

- (b) Explain why the pattern on the fluorescent screen has light and dark regions.

You may draw a diagram to support your answer.

.....

.....

.....

.....

.....

.....

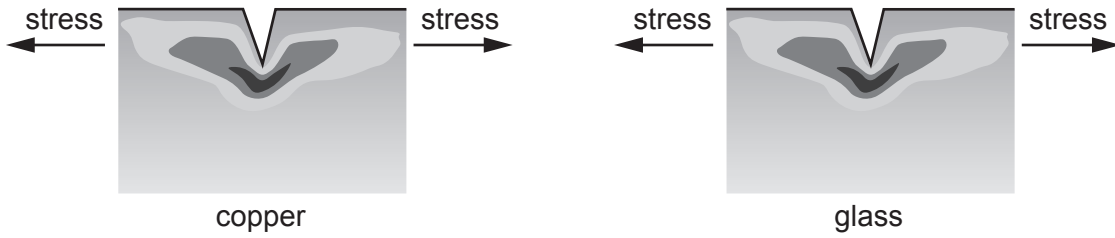
.....

..... [2]

23 A student is studying the toughness of glass and copper.

She makes a small crack on the surface of a sample of each material, as shown below.

She applies a local stress to the cracks by bending the sample.



(a) Describe the student's observations as the stress is increased.

Glass

.....

Copper

.....

[2]

(b) Explain the observations in terms of mobile dislocations.

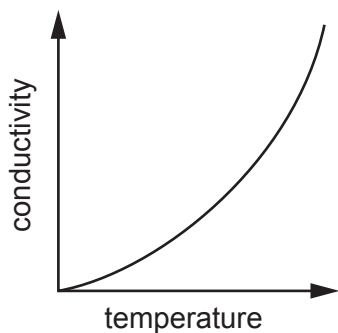
You may use a diagram to explain your answer.

.....

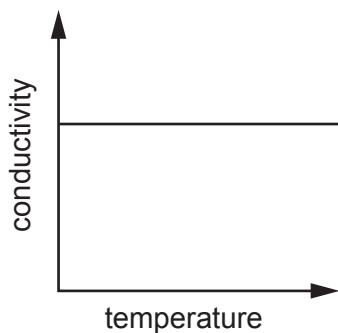
.....

..... [2]

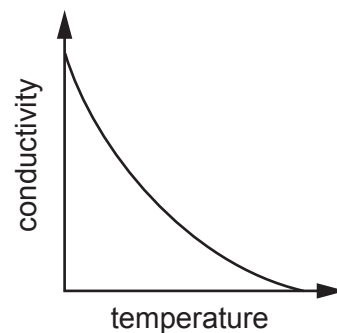
24 The diagram shows sketch graphs of conductivity against temperature for different materials.



A



B



C

(a) State and explain which graph shows the relationship between conductivity and temperature for a semiconductor material.

.....

.....

..... [2]

Graphene is a form of carbon with unusual electrical properties that depend on its shape.

It can be made into thin strips or *nanoribbons* only a few atoms thick.

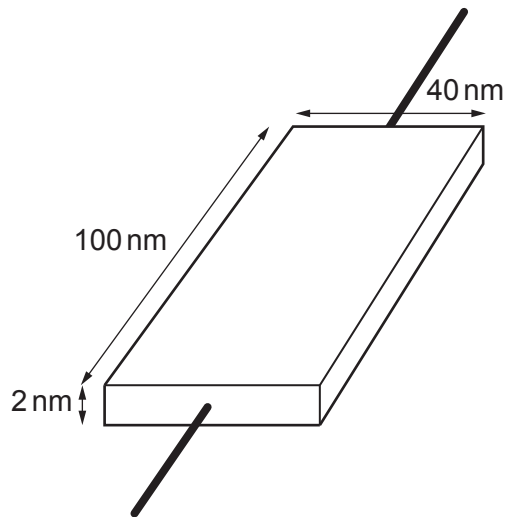
Graphene nanoribbon has a high conductivity which is almost independent of temperature.

(b) (i) Suggest why this property would make graphene nanoribbon an attractive replacement for the narrow metal wires used in electronic circuits.

.....

..... [1]

A graphene nanoribbon has dimensions shown in the diagram.



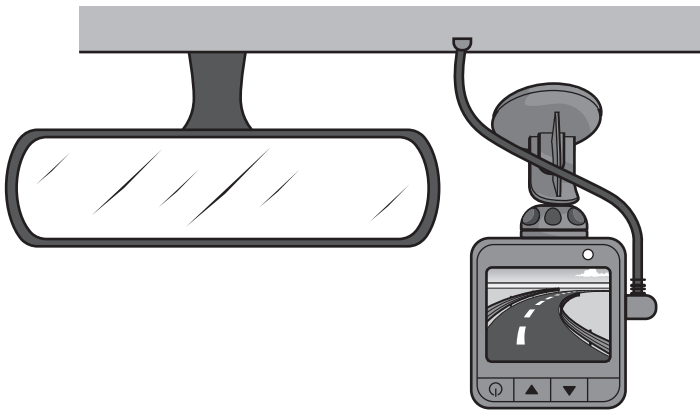
The resistance of the nanoribbon is $200\ \Omega$.

(ii) Calculate the conductivity of the graphene nanoribbon.

conductivity = S m^{-1} [3]

16
Section C

25 The figure shows a 'dashcam', a camera used to record images while driving.

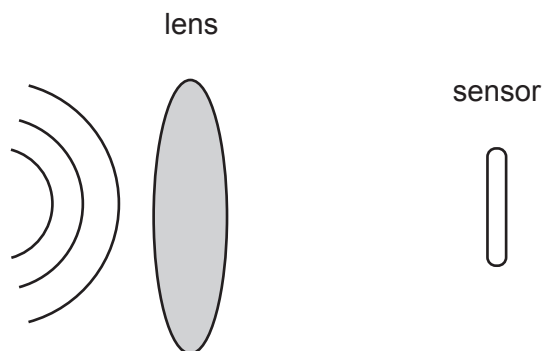


The camera is designed to focus objects that are 5.0 m in front of the lens.
The distance from the lens to the sensor inside the camera is 4.0 cm.

(a) Show that the focal length of the lens is approximately 4 cm.

[2]

The diagram below shows wavefronts from an object in front of the dashcam incident on the lens.



(b) Add to the diagram to show the wavefronts between the lens and the sensor.

[2]

The dashcam requires a memory card to store the video it captures.

The dashcam's image sensor is made of a 4096×2048 rectangular array of pixels and can resolve up to 16 million different colours.

(c) How many bits per pixel are required to resolve over 16 million different colours?

bits per pixel = [2]

The dashcam records 22 frames of video per second and compresses images before storing them so they are only 10% of their original size.

(d) Show that no more than 21 minutes of video could be stored on a 64 GB memory card.

[3]

26 When a violin string is plucked, waves travel outwards in both directions along the string.

(a) Explain how this can result in a stationary wave on the string.

You may use a diagram to explain your answer.

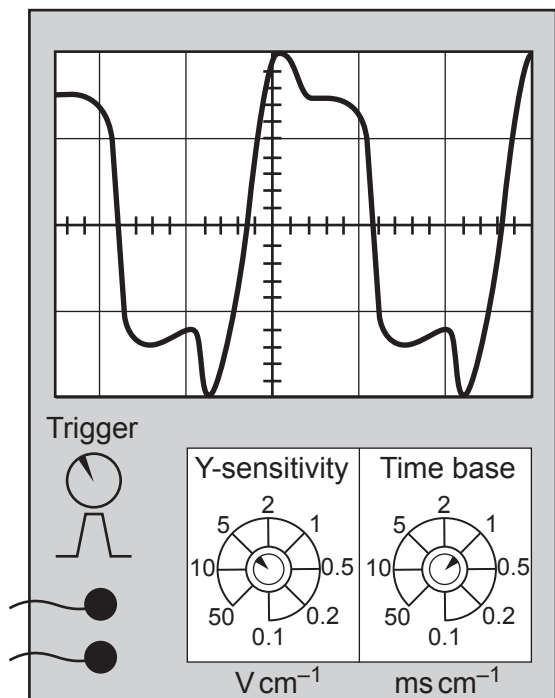
.....

.....

..... [3]

A student investigates the sound produced by a violin string.

He uses a microphone to convert the sound into an electrical signal which is displayed on an oscilloscope. The oscilloscope trace is shown below.



The oscilloscope is set to time base 1 ms cm^{-1} and Y-sensitivity 5 mV cm^{-1} .

(b) State the amplitude of the electrical signal.

amplitude = mV [1]

(c) Determine the frequency of the signal.

frequency = Hz [3]

The shape of the signal is not a pure sine wave. This is because the sound produced by the string is not a single frequency but a mixture of several frequencies and wavelengths that together make up the tone quality of the sound of the violin.

(d) The length of the string is L .

Draw diagrams in the space below to show that the three longest wavelengths produced on the string are $2L$, L and $\frac{2}{3}L$.

The fixed end-points of the string and its equilibrium position have been included for you on each diagram.



[3]

- 27 Two students investigate the terminal velocity of paper cones. The cones are made by cutting a wedge from a circle of paper and joining the two edges of the wedge with sticky tape, as shown in **Fig. 27.1**. Different wedge sizes produce different cone angles.

One student drops the paper cones from rest at a height of 1.9 m. The other student times the fall using a stopwatch. The arrangement is shown in **Fig. 27.2**.

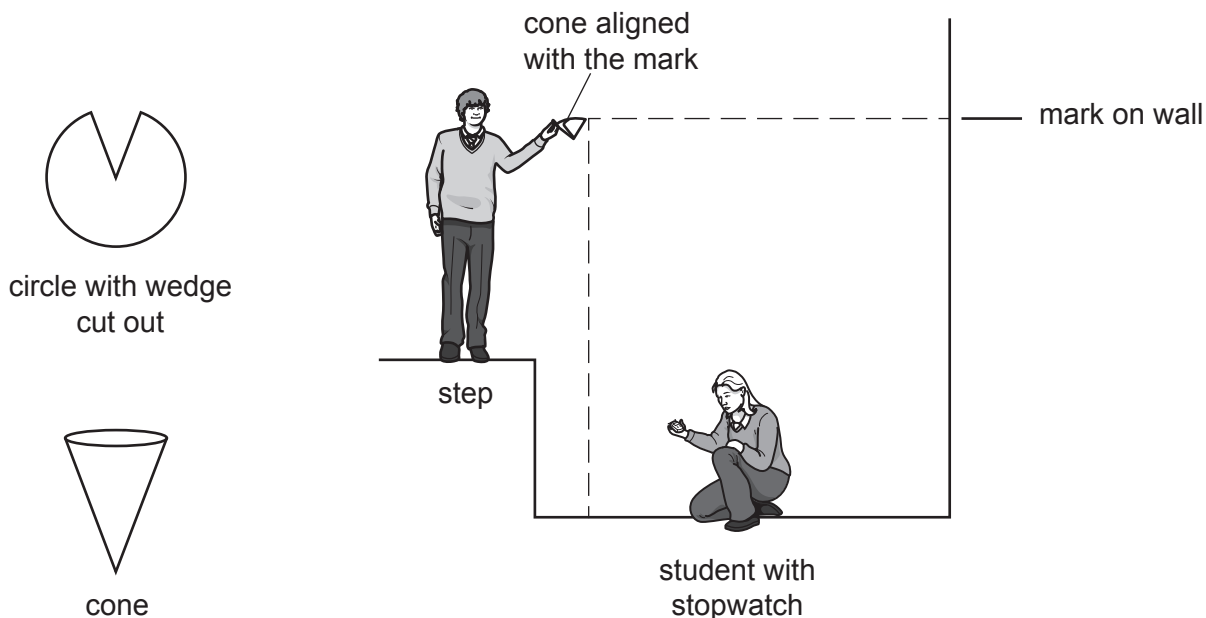


Fig. 27.1

Fig. 27.2

The students test each cone twice. Their results are shown in the table below.

Wedge angle/ $^{\circ}$	Time/s		
	Trial 1	Trial 2	Mean
30	1.78	1.66	1.72
45	1.61	1.63	
60	1.60	1.61	1.60
75	1.61	1.55	1.58
90	1.63	1.51	1.57
105	1.31	1.50	1.40
120	1.32	1.42	1.37

- (a) Describe the vertical forces on the cone when at its 'terminal velocity'.

.....

 [2]

- (b) Calculate the average **speed** of the cone with wedge angle 45° .
 Give an appropriate number of significant figures.

average speed = ms^{-1} [2]

- (c) Explain why the instantaneous speed of the cone during its fall **cannot** be calculated using the equation: $v^2 = u^2 + 2as$.

.....

 [2]

The students form the hypothesis that the wedge angle is inversely proportional to the time to fall.

- (d) (i) Show that the measurements do **not** support this hypothesis.

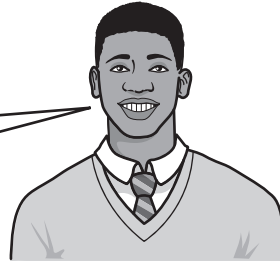
[2]

Four other students are asked to suggest how to improve the measurements.



Student A

Drop the cones from a greater height so the distance and times are as large as possible.



Student B

Repeat with more cone angles so there is a wider range.



Student C

Repeat more times for each cone angle to improve the precision of the means.



Student D

Use a stopwatch that counts in milliseconds to improve the precision of each time measurement.

- (ii) State and explain which **one** student's suggestion will provide the best measurements to prove or disprove their hypothesis.

.....

.....

.....

.....

.....

.....

.....

.....

.....

.....

.....

[3]

END OF QUESTION PAPER

ADDITIONAL ANSWER SPACE

If additional space is required, you should use the following lined page(s). The question number(s) must be clearly shown in the margin(s).

A large area of lined paper for writing answers. It features a vertical margin line on the left side and horizontal dotted lines for writing. The lines are evenly spaced and extend across the width of the page.

A large rectangular area with a solid vertical line on the left side and horizontal dotted lines extending across the page, providing a space for writing answers.



Oxford Cambridge and RSA

Copyright Information

OCR is committed to seeking permission to reproduce all third-party content that it uses in its assessment materials. OCR has attempted to identify and contact all copyright holders whose work is used in this paper. To avoid the issue of disclosure of answer-related information to candidates, all copyright acknowledgements are reproduced in the OCR Copyright Acknowledgements Booklet. This is produced for each series of examinations and is freely available to download from our public website (www.ocr.org.uk) after the live examination series.

If OCR has unwittingly failed to correctly acknowledge or clear any third-party content in this assessment material, OCR will be happy to correct its mistake at the earliest possible opportunity.

For queries or further information please contact The OCR Copyright Team, The Triangle Building, Shaftesbury Road, Cambridge CB2 8EA.

OCR is part of Cambridge University Press & Assessment, which is itself a department of the University of Cambridge.